

Cooling Tower, Model 910.24

Capillary Extension

WIKA Data Sheet AC 91.04

Applications

- At high process temperatures
- When remote reading of measuring point is required

Description

Cooling tower Model 910.24

Intended to protect the pressure instrument from high process temperature. Air circulation through the perforated capillary protector reduces the temperature of the filling liquid.

The cooling tower is recommended with directly mounted instruments at process temperatures in excess of 100 °C.
Material: stainless steel

Capillary extension

Stainless steel capillary with stainless steel spiral armour provides connection between diaphragm seal and pressure instrument to enable distant reading or remote control. A capillary extension of 500 mm minimum is normally sufficient to reduce the temperature at the pressure instrument without an additional cooling tower. The capillary should be selected as short as possible and never exceed 15 m maximum, since ambient temperature conditions may considerably affect accuracy and response time of the instrument.

Standard lengths: 1.0, 1.6, 2.5, 3.0, 4.0, 5.0, 6.0, 8.0, 10.0 and 15.0 m

Custom lengths: available upon inquiry

Installation normally requires an instrument with surface mounting provisions or an extra surface mounting bracket. Note that any level difference between pressure instrument and diaphragm seal will cause a static head acting on the instrument. If known, the static head can be considered upon calibration of the diaphragm seal assembly. See "Diaphragm Seal Questionnaire." Minor corrections can be made on site by means of an adjustable pointer of the instrument, also to compensate for the effect of extreme temperature variation.



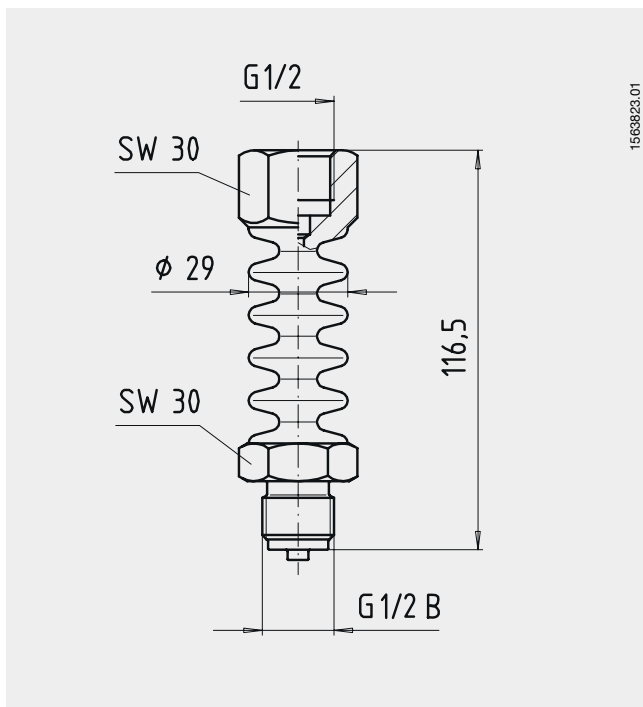
Diaphragm seal assembly with cooling tower



Diaphragm seal assembly with capillary extension

Dimensions in mm

Cooling tower



Ordering information

The cooling tower and the capillary extension are normally not supplied as an individual item.

Model or length of capillary extension, respectively

Modifications may take place and materials specified may be replaced by others without prior notice.
Specifications and dimensions given in this leaflet represent the state of engineering at the time of printing.

