

**Magnetic Switch, Model MSA**

**EN**

**Magnetschalter, Typ MSA**

**DE**



**Magnetschalter, Typ MSA**  
**Magnetic Switch, Type MSA**

## EN Operating Instructions, Model MSA

## DE Betriebsanleitung, Typ MSA

© 2016 WIKA Alexander Wiegand SE & Co. KG  
All rights reserved. / Alle Rechte vorbehalten.  
WIKA® and KSR® are registered trademarks in various countries.  
WIKA® and KSR® sind geschützte Marken in verschiedenen Ländern.

Prior to starting any work, read the operating instructions!  
Keep for later use!

Vor Beginn aller Arbeiten Betriebsanleitung lesen!  
Zum späteren Gebrauch aufbewahren!

Manufacturer contact  
hergestellt von



**KSR Kuebler Niveau-Messtechnik AG**  
Heinrich-Kuebler-Platz 1  
69439 Zwingenberg am Neckar • Germany  
Tel. +49 6263/87-0  
Fax +49 6263/87-99  
info@ksr-kuebler.com  
www.ksr-kuebler.com

Sales contact  
Vertrieb durch



**WIKAL Alexander Wiegand SE & Co. KG**  
Alexander-Wiegand-Straße 30  
63911 Klingenberg • Germany  
Tel. +49 9372 132-0  
Fax +49 9372 132-406  
info@wika.de  
www.wika.de

# Contents

<b>1. General information</b>	<b>4</b>
<b>2. Design and function</b>	<b>5</b>
<b>3. Safety</b>	<b>6</b>
<b>4. Transport, packaging and storage</b>	<b>10</b>
<b>5. Commissioning, operation</b>	<b>11</b>
<b>6. Faults</b>	<b>18</b>
<b>7. Maintenance and cleaning</b>	<b>19</b>
<b>8. Dismounting, return and disposal</b>	<b>21</b>
<b>9. Specifications</b>	<b>22</b>

## 1. General information

- The magnetic switches described in the operating instructions are designed and manufactured in accordance with the current state-of-the-art. During production, all components are subject to strict quality and environmental criteria. Our management systems are certified in accordance with ISO 9001.
- These operating instructions provide information on how to use the unit. Compliance with all specified safety instructions and work instructions are a prerequisite for working safely.
- Compliance with the local applicable accident prevention regulations and general safety regulations for the area of use of the unit is required.
- The operating instructions are a component of the product and must be kept in the immediate vicinity of the unit where they are accessible to the technicians at all times. Pass on the operating instructions to subsequent users or owners of the unit.
- The technicians must read and understand the operating instructions prior to starting any work.
- The general terms and conditions from the sales documents apply.
- Technical changes reserved.
- Additional information:
  - Internet address: [www.ksr-kuebler.com](http://www.ksr-kuebler.com) or [www.wika.com](http://www.wika.com)

## 2. Design and function

### 2.1 Functional description

Magnetic switches are non-contact switches. They consist of a switch housing with a built-in reed contact. They are triggered by the magnetic field of a permanent magnet.

Magnetic switches are used to provide a switching function at a pre-determined position.



### 2.2 Scope of delivery

Compare the contents of the delivery with the delivery certificate.

## 3. Safety

### 3.1 Symbols



#### **DANGER!**

... indicates an immediately hazardous situation which might result in death or severe injuries if it is not avoided.



#### **WARNING!**

... indicates an potentially hazardous situation which might result in death or severe injuries if it is not avoided.



#### **CAUTION!**

... indicates an potentially hazardous situation which might result in light or minor injuries or property or environmental damages if it is not avoided.



#### **INFORMATION**

... highlights useful tips and recommendations and information for efficient and fault-free operation.

### 3.2 Proper intended use

Magnetic switches are solely intended for monitoring the position of permanent magnet. The area of use is based on the technical performance limits and materials.

- Compliance with the usage conditions specified in the operating instructions is required.
- Do not operate the unit in direct proximity of ferro-magnetic environments (distance min. 50mm).
- Do not operate the unit in direct proximity of strong electromagnetic fields or in direct proximity of facilities that can be impacted by magnetic fields (distance min. 1m).
- The magnetic switches may not be subjected to strong mechanical stresses (impact, bending, vibrations). The unit is exclusively designed and constructed for the intended use described here and may only be used accordingly.

- These instructions are intended for technicians who execute the installation and calibration.
- Compliance with the relevant safety regulations for the use is required.
- Compliance with the technical specifications in these operating instructions is required. Improper use or operation of the unit outside the technical specifications requires immediate shut-down and inspection by an authorized WIKA service technician.

Claims of any kind due to improper use are excluded.



**DANGER!**

When working on containers, there is a risk of poisoning or suffocation. Work may only be performed using suitable personal safety equipment (e.g. respiratory protection, protective clothing, etc.).

**3.3 Improper use**

Any use that exceeds the technical performance thresholds or that is incompatible with the materials is considered improper use.



**WARNING!**

**Injury due to improper use**

Improper use of the unit can result in hazardous situations and injuries.

- Do not modify the unit without authorization
- Do not use the unit in potentially explosive areas.

Any use beyond the proper intended use or any other use is considered improper use.

Do not use this unit in safety or emergency off equipment.

### 3.4 Responsibility of the operator

The unit is used in the industrial sector. The operator is therefore subject to statutory obligations with respect to occupational safety.

Compliance with the safety instructions in these operating instructions and the applicable safety, accident prevention and environmental protection regulations for the area of use of the unit is required.

In order to safely work on the unit, the operator must ensure

- the operating personnel is regularly trained in all matters pertaining to occupational safety, first aid and environmental conservation and is familiar with the operating instructions and, in particular, the safety instructions contained therein
- the unit is suitable for the application in accordance with the proper intended use (check for improper use).

After check, improper use is excluded.

### 3.5 Personnel qualification



#### **WARNING!**

#### **Risk of injury due to insufficient qualifications**

Improper use can result in significant personal injury and property damages.

- The activities described in these operating instructions may only be performed by specialist technicians with the following qualifications.

#### **Specialist personnel**

The specialist personnel authorized by the operator is capable of executing the described work and autonomously detect potential hazards due their technical training, knowledge of measuring and control technology and their experience and knowledge of country-specific regulations, applicable standards and guidelines.



### 3.6 Personal safety equipment

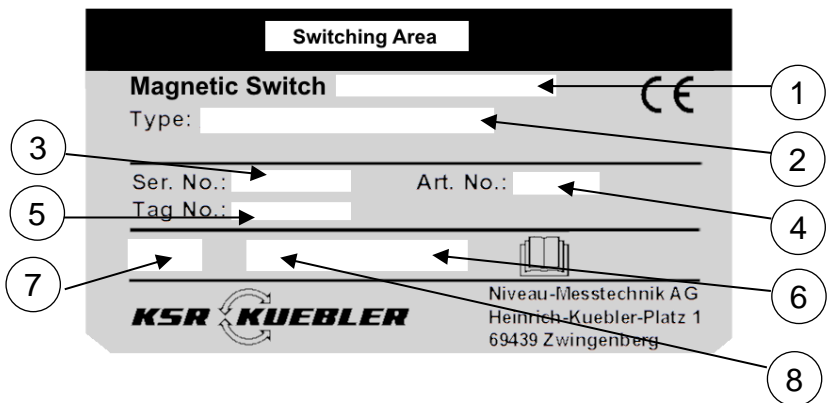
The personal safety equipment serves to protect the technicians against hazards that might impact the safety or health while working. When executing the various tasks on and with the unit, the technicians must wear personal safety equipment.

### Comply with warning signs posted in the work area regarding personal safety equipment!

The required personal safety equipment must be provided by the operator.

### 3.7 Signs, safety markings

#### Name plate (examples)



- |                       |                                       |
|-----------------------|---------------------------------------|
| 1) Type name          | 5) Tag number                         |
| 2) Type specification | 6) Switching power                    |
| 3) Serial number      | 7) Ingress protection to EN/IEC 60529 |
| 4) Article number     | 8) Protection class                   |

### Symbols



Prior to assembly and commissioning of the unit, you must read the operating instructions!

## 4. Transport, packaging and storage

### 4.1 Transport

Check the magnetic switch for potential transport damage.  
Immediately report obvious damage.



#### **CAUTION!**

#### **Damage due to improper transport**

Improper transport can result in significant property damages.

- When unloading packages upon delivery and for internal facility transport, proceed carefully and comply with the symbols on the packaging.
- For internal facility transport, follow the instructions in Chapter 4.2 “Packaging and storage”

### 4.2 Transport and storage

Remove packaging immediately prior to assembly. Keep the packaging as it provides optimum protection during transport (e.g. changing installation location, repair shipment).

## 5. Commissioning, operation

Comply with all of the instructions on the packaging pertaining to removing the transport locks.

Remove the magnetic switch from the packaging carefully!

When unpacking, check all parts for external damage.

Functional test before assembly:



The functional test is carried out to determine the proper functioning of the switching contacts. You should disconnect the power connection between the control and the switch before the test. You can determine the switching condition e.g. with a continuity tester. You can carry out the functional test by actuating the contact with a permanent magnet in the switching area. For this, you should approach the magnetic switch with the magnet. When doing so, the contact should switch over.



During the functional test, unintentional processes can be triggered off in the downstream control. Risk of physical injuries and property damage. Competent technical staff only should connect and disconnect power lines. Do not operate Magnetic Switches in the immediate proximity of powerful electromagnetic fields (distance should be at least 1m).  
Do not expose Magnetic Switches to strong mechanical loads.

## 5.1 Mounting preparations

- Ensure the installation position of the magnetic switch is clean and has no mechanical damage.

## 5.2 Mounting



Before mounting in an aggressive environment, you should ensure that the Magnetic Switch's case is resistant to it accordingly. When choosing the place for mounting, you should take into account the system of protection of the used switch.

Installation should be carried out using non-magnetic material (e.g. brass screws). Do not install the magnetic switches in direct proximity to ferromagnetic material. Always keep a minimum distance of 50 mm.

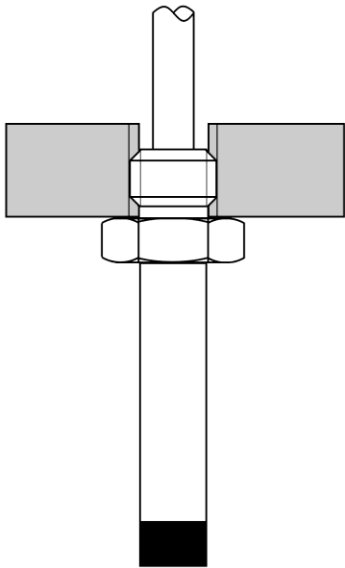
The actuation direction of the magnet is either front activated or side activated in relation to the magnetic switch, depending on the switching zone of the switch.

The maximum actuation distance is obtained if the magnet is mounted directly on an iron base. The range is increased by a concentrated magnetic field.

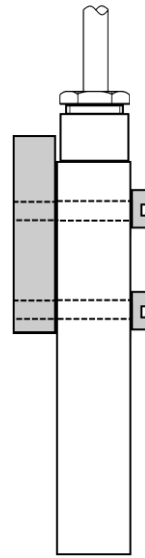
### Switching behaviour

**Monostable** For monostable magnetic switches the polarity of the magnet is of no importance. Switching is possible with either the north or south pole.

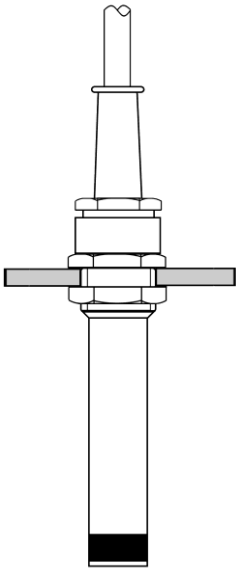
**Bistable** Bistable magnetic switches react to the polarity or the direction of movement of the magnet. As a standard the switch is turned on with the north pole and turned off with the south pole.



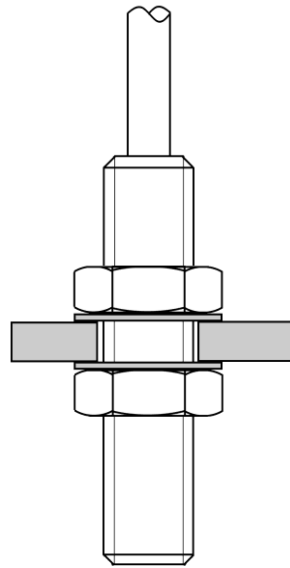
thread-in



with screws



with nut



with nuts adjustable

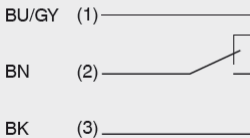
Base type	Shape	Material	Mounting
MSA-DRU	flat	PA	with 2 screws M 4
MSA-DWU	flat	PA	with 2 screws M 4
MSA-EVS-L70	round	SS	BSP 3/8 thread-in
MSA-EVUM	round	SS	BSP 3/8 thread-in
MSA-FGMS	flat	PA	with 2 screws M 6
MSA-FKS	flat	PA	with 2 screws M 4
MSA-FKSM-AL	flat	Aluminium	with 2 screws M 4
MSA-FLS	flat	PA	with 2 screws M 4
MSA-FLSM-AL	flat	Aluminium	with 2 screws M 4
MSA-FLU	flat	PA	with 2 screws M 4
MSA-FWU	flat	PA	with 2 screws M 4
MSA-FWU-AL	flat	Aluminium	with 2 screws M 4
MSA-GMOM16	round	PA	Pg 16 with nut
MSA-GMS18	round	PA	M 18 with nuts adjustable
MSA-GMS9	round	PA	Pg 9 with nut
MSA-GMSM16	round	PA	Pg 16 with nut
MSA-GMU9	round	PA	Pg 9 with nut
MSA-GMUM16	round	PA	Pg 16 with nut
MSA-KRS9	round	PA	Pg 9 with nut
MSA-KRU9	round	PA	Pg 9 with nut
MSA-KSWO	slotted	PA	with 2 screws M 4
MSA-KSWU	slotted	PA	with 2 screws M 4
MSA-KWU9	round	PA	Pg 9 with nut
MSA-LRU9	round	PA	Pg 9 with nut
MSA-MRO10	round	brass	M 10 with nuts adjustable
MSA-MRS10	round	brass	M 10 with nuts adjustable
MSA-MRS12	round	brass	M 12 with nuts adjustable
MSA-MRS20	round	brass	M 20 with nuts adjustable
MSA-MRS9	round	PA	Pg 9 with nut
MSA-MRSS12	round	brass	M 12 with nuts adjustable
MSA-MRU12	round	brass	M 12 with nuts adjustable
MSA-MS30	round	PE	clamp
MSA-PMS	round	PVC	clamp
MSA-PMU	round	PVC	clamp
MSA-PWS	round	PVC	clamp
MSA-SRO	slotted	PA	with 2 screws M5
MSA-SRU	slotted	PA	with 2 screws M5
MSA-SWO	slotted	PA	with 2 screws M5
MSA-SWU	slotted	PA	with 2 screws M5
MSA-VS	round	SS	BSP 1/8 thread-in

## 5.3 Electrical connection

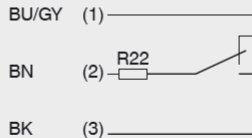


The electrical connection must be established in accordance with the application construction regulations in the country of installation and may only be performed by specialist personnel.

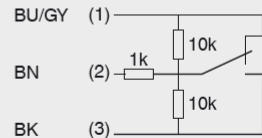
1 switch point



1 switch point  
Wiring for operation  
with a PLC



1 switch point  
NAMUR circuit per  
DIN EN 60947-5-6



The electric data on the nameplate must be observed. Any works may only be performed by specialist personnel.



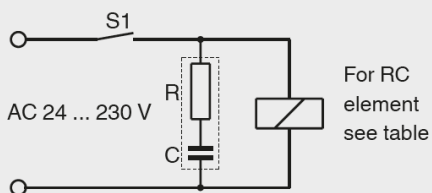
### Warning!

The operation of the magnetic switches at inductive or capacitive load can result in the destruction of the reed contact. This can lead to a malfunction of the downstream control and to physical injury or property damage.

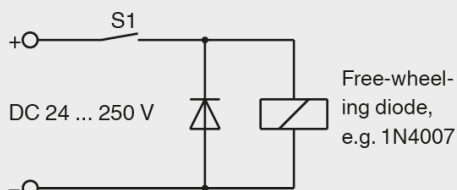


With inductive load, please protect the magnetic switches by wiring with a RC module or with a shunt diode.  
 With capacitive load, line lengths above 50m, or connection to process control systems with capacitive input a protective resistor of  $22\ \Omega$  should be connected in series to the to limit the peak current.

### AC voltage



### DC voltage



### RC modules for switch protection

Depending on the operating voltage, RC modules should only be used in accordance with the table below.

Other RC modules than those listed here will result in the destruction of the reed switch.

### For reed contacts from 10 - 40VA

Voltage	Resistance	Capacity	Type
AC 24 V	$100\ \Omega$	$0,33\ \mu\text{F}$	A 3/24
AC 48 V	$220\ \Omega$	$0,33\ \mu\text{F}$	A 3/48
AC 115 V	$470\ \Omega$	$0,33\ \mu\text{F}$	A 3/115
AC 230 V	$1500\ \Omega$	$0,33\ \mu\text{F}$	A 3/230



## For reed contacts from 40 - 100VA

Voltage	Resistance	Capacity	Type
AC 24 V	47 $\Omega$	0,33 $\mu$ F	B 3/24
AC 48 V	100 $\Omega$	0,33 $\mu$ F	B 3/48
AC 115 V	470 $\Omega$	0,33 $\mu$ F	B 3/115
AC 230 V	1000 $\Omega$	0,33 $\mu$ F	B 3/230

### 5.4 Commissioning

Please set bistable magnetic switches to their defined initial state before putting them into operation. For this, you should move the magnet along its intended path and back to its starting position.

Due to the bistable switching behaviour of the magnetic switches, a defined initial state before putting them into service is mandatory. Otherwise, there is a risk that a defective switching function is triggered off in the downstream control through a false contact position upon initial start-up.

### Adjustment of the Magnetic Switch

Unscrew the fastening screw(s) and shift the magnetic switch to the position of the desired switching point.

Tighten the fastening screw again afterwards.

## 6. Faults



The most frequent root causes and required countermeasures are listed in the following table.

Fault	Cause	Measure
<b>No or undefined switching function</b>	Electrical connection incorrect	See chapter 5.3
	Reed contact defective	Return shipment to factory
	Incorrect switching function	Change terminal assignment
	Switching position incorrect	New positioning of the MSA
	Ragged cable	Return shipment to factory
	Switch are not triggered by the magnet	



### **CAUTION!**

#### **Bodily injuries, property and environmental damages**

If faults cannot be rectified with the help of the listed measures, immediately shut the unit off.

- Ensure the pressure is switched off and secure the unit against unintentionally being switched on.
- Contact the manufacturer.
- If return shipment is necessary, follow the instructions in Chapter 8.2 “Return Shipment”.

## 7. Maintenance and cleaning

### 7.1 Maintenance

Magnetic switches Type MSA do not require maintenance if operated properly.

The switches should be repaired by the manufacturer or by persons authorized by the manufacturer only. You should observe the international and national regulations regarding the implementation of the repair. Please use KSR-Kuebler spare parts only, for otherwise the conformity with the approval of the type of protection cannot be guaranteed.



#### **DANGER!**

When working on containers, there is a risk of poisoning or suffocation. Work may only be performed using suitable personal safety equipment (e.g. respiratory protection, protective clothing, etc.).



#### **NOTICE!**

Fault-free functionality of the magnetic switch can only be guaranteed if original KSR Kuebler accessories and spare parts are used.

## 7.2 Cleaning



### **CAUTION!**

#### **Bodily injuries, property and environmental damages**

Improper cleaning may result in bodily injuries, property and environmental damages. Measurement material residues in the disassembled unit can result in risks to persons, the environment and equipment.

- Flush and clean the disassembled unit.
  - Implement sufficient precautionary measures.
1. Prior to cleaning the unit, properly disconnect it from the process and the power supply.
  2. Carefully clean the unit with a damp cloth.
  3. Do not let electrical connections come into contact with moisture!



### **CAUTION!**

#### **Property damage**

Improper cleaning will damage the unit!

- Do not use any aggressive cleaning agents.
- Do not use any hard or sharp objects for cleaning.

## 8. Dismounting, return and disposal



### **WARNING!**

#### **Bodily injuries, property and environmental damages due to measuring material residues**

Measuring material residues in a disassembled unit can result in risks to persons, the environment and equipment.

- Wear the necessary protective equipment
- Flush and clean the disassembled unit in order to protect persons and the environment from risks posed by adhering measuring material residues.

### **8.1 Disassembly**

Only disassemble the measuring unit when it has been disconnected from electricity.

### **8.2 Return shipment**

Use the original packaging or suitable transport packing for the return shipment of the unit.

Instructions for return shipment can be found in the “Service” section on our local website.

### **8.3 Disposal**

Incorrect disposal can result in risks to the environment.

Dispose of unit components and packaging materials in an environmentally compatible manner in accordance with the country-specific waste management and disposal regulations.

## 9. Specifications

### 9.1 Permissible switching power

Base type	Switching power
MSA-DRU	AC 230V; 30VA; 0,5A / DC 230V; 20W; 0,35A
MSA-DWU	AC 230V; 50VA; 1A / DC 230V; 30W; 0,5A
MSA-EVS-L70	AC 230V; 60VA; 1A / DC 230V; 30W; 0,5A
MSA-EVUM	AC 230V; 30VA; 0,5A / DC 230V; 20W; 0,35A
MSA-FGMS	AC 230V; 100VA; 1A / DC 230V; 50W; 0,5A
MSA-FKS MSA-FKSM-AL	AC 230V; 10VA; 0,5A / DC 230V; 5W; 0,25A
MSA-FLS	AC 230V; 60VA; 1A / DC 230V; 30W; 0,5A
MSA-FLSM-AL	AC 230V; 100VA; 1A / DC 230V; 50W; 0,5A
MSA-FLU MSA-FWU	AC 230V; 30VA; 0,5A / DC 230V; 20W; 0,35A
MSA-FWU-AL	AC 230V; 50VA; 1A / DC 230V; 30W; 0,5A
MSA-GMOM16	AC 230V; 100VA; 1A / DC 230V; 50W; 0,5A
MSA-GMS18	AC 230V; 60VA; 1A / DC 230V; 30W; 0,5A
MSA-GMS9 MSA-GMSM16	AC 230V; 100VA; 1A / DC 230V; 50W; 0,5A
MSA-GMU9 MSA-GMUM16	AC 230V; 30VA; 0,5A / DC 230V; 20W; 0,35A
MSA-KRS9	AC 230V; 60VA; 1A / DC 230V; 30W; 0,5A
MSA-KRU9	AC 230V; 30VA; 0,5A / DC 230V; 20W; 0,35A
MSA-KWU9	AC 230V; 50VA; 1A / DC 230V; 30W; 0,5A
MSA-LRU9	AC 50V; 30VA; 0,5A / DC 75V; 20W; 0,35A
MSA-MRO10	AC 50V; 5VA; 0,25A / DC 75V; 2,5W; 0,15A
MSA-MRS10	AC 230V; 10VA; 0,5A / DC 230V; 5W; 0,25A
MSA-MRS12 MSA-MRS20	AC 230V; 60VA; 1A / DC 230V; 30W; 0,5A
MSA-MRS9	AC 230V; 10VA; 0,5A / DC 230V; 5W; 0,25A
MSA-MRSS12	AC 230V; 60VA; 1A / DC 230V; 30W; 0,5A
MSA-MRU12	AC 230V; 30VA; 0,5A / DC 230V; 20W; 0,35A
MSA-MS30	AC 50V; 30VA; 100mA / DC 75V; 20W; 100mA
MSA-PMS	AC 230V; 60VA; 1A / DC 230V; 30W; 0,5A
MSA-PMU	AC 230V; 30VA; 0,5A / DC 230V; 20W; 0,35A
MSA-PWS	AC 230V; 50VA; 1A / DC 230V; 30W; 0,5A
MSA-SRO / SWO	AC 230V; 30VA; 0,5A / DC 230V; 20W; 0,35A
MSA-SRU / SWU	AC 230V; 50VA; 1A / DC 230V; 30W; 0,5A
MSA-VS	AC 230V; 10VA; 0,5A / DC 230V; 5W; 0,25A

## 9.2 Operating limits

- Operating temperature:  $T = -10 \dots +80 \text{ }^{\circ}\text{C}$

Detailed information about magnetic switches can be found separately in the following data sheets:

- Magnetic switch; Type MSA; see data sheet MSA

# Inhalt

<b>1. Allgemeines</b>	<b>25</b>
<b>2. Aufbau und Funktion</b>	<b>26</b>
<b>3. Sicherheit</b>	<b>27</b>
<b>4. Transport, Verpackung und Lagerung</b>	<b>32</b>
<b>5. Inbetriebnahme, Betrieb</b>	<b>33</b>
<b>6. Störungen</b>	<b>40</b>
<b>7. Wartung und Reinigung</b>	<b>41</b>
<b>8. Demontage, Rücksendung und Entsorgung</b>	<b>43</b>
<b>9. Technische Daten</b>	<b>44</b>



# 1. Allgemeines

- Die in der Betriebsanleitung beschriebenen Magnetschalter werden nach dem aktuellen Stand der Technik konstruiert und gefertigt. Alle Komponenten unterliegen während der Fertigung strengen Qualitäts- und Umweltkriterien. Unsere Managementsysteme sind nach ISO 9001 zertifiziert.
- Diese Betriebsanleitung gibt wichtige Hinweise zum Umgang mit dem Gerät. Voraussetzung für sicheres Arbeiten ist die Einhaltung aller angegebenen Sicherheitshinweise und Handlungsanweisungen.
- Die für den Einsatzbereich des Gerätes geltenden örtlichen Unfallverhütungsvorschriften und allgemeinen Sicherheitsbestimmungen einhalten.
- Die Betriebsanleitung ist Produktbestandteil und muss in unmittelbarer Nähe des Gerätes für das Fachpersonal jederzeit zugänglich aufbewahrt werden. Betriebsanleitung an nachfolgende Benutzer oder Besitzer des Gerätes weitergeben.
- Das Fachpersonal muss die Betriebsanleitung vor Beginn aller Arbeiten sorgfältig durchgelesen und verstanden haben.
- Es gelten die allgemeinen Geschäftsbedingungen in den Verkaufsunterlagen.
- Technische Änderungen vorbehalten.
- Weitere Informationen:
  - Internet-Adresse: [www.ksr-kuebler.com](http://www.ksr-kuebler.com) oder [www.wika.de](http://www.wika.de)

## 2. Aufbau und Funktion

### 2.1 Funktionsbeschreibungen

Magnetschalter sind berührungslose Schalter. Sie bestehen im Wesentlichen aus einem Kontaktgehäuse mit eingebautem Reedkontakt. Dieser wird betätigt, sobald er in das Magnetfeld eines Permanentmagneten gelangt.

Magnetschalter werden verwendet, um bei einer vorher festgelegten Position eine Schaltfunktion auszuüben.



### 2.2 Lieferumfang

Lieferumfang mit dem Lieferschein abgleichen.

## 3. Sicherheit

### 3.1 Symbolerklärung



#### **GEFAHR!**

... weist auf eine unmittelbar gefährliche Situation hin, die zum Tod oder zu schweren Verletzungen führt, wenn sie nicht gemieden wird.



#### **WARNUNG!**

... weist auf eine möglicherweise gefährliche Situation hin, die zum Tod oder zu schweren Verletzungen führen kann, wenn sie nicht gemieden wird.



#### **VORSICHT!**

... weist auf eine möglicherweise gefährliche Situation hin, die zu geringfügigen oder leichten Verletzungen bzw. Sach- und Umweltschäden führen kann, wenn sie nicht gemieden wird.



#### **INFORMATION**

... hebt nützliche Tipps und Empfehlungen sowie Informationen für einen effizienten und störungsfreien Betrieb hervor.

### 3.2 Bestimmungsgemäße Verwendung

Magnetschalter dienen ausschließlich der Überwachung der Position von Permanentmagneten. Der Einsatzbereich ergibt sich aus den technischen Leistungsgrenzen und Werkstoffen.

- Die in der Betriebsanleitung angegebenen Einsatzbedingungen sind einzuhalten.
- Gerät nicht in unmittelbarer Nähe von ferromagnetischer Umgebung (Abstand min. 50 mm) betreiben.
- Gerät nicht in unmittelbarer Nähe von starken elektromagnetischen Feldern bzw. in unmittelbarer Nähe von Einrichtungen betreiben,

die durch Magnetfelder beeinflusst werden können (Abstand min. 1 m).

- Magnetschalter dürfen keinen starken mechanischen Belastungen (Stoß, Verbiegen, Vibrationen) ausgesetzt werden. Das Gerät ist ausschließlich für den hier beschriebenen bestimmungsgemäßen Verwendungszweck konzipiert und konstruiert und darf nur dementsprechend verwendet werden.
- Diese Anleitung richtet sich an Fachkräfte, die den Einbau, die Installation und das Einrichten ausführen.
- Für den Einsatz sind die einschlägigen Sicherheitsvorschriften zu beachten.
- Die technischen Spezifikationen in dieser Betriebsanleitung sind einzuhalten. Eine unsachgemäße Handhabung oder ein Betreiben des Gerätes außerhalb der technischen Spezifikationen macht die sofortige Stilllegung und Überprüfung durch einen autorisierten WIKA-Servicemitarbeiter erforderlich.
- Ansprüche jeglicher Art aufgrund von nicht bestimmungsgemäßer Verwendung sind ausgeschlossen.



### **GEFAHR!**

Beim Arbeiten an Behältern, besteht Vergiftungs- oder Erstickungsgefahr. Arbeiten dürfen nur unter Anwendung geeigneter Personenschutzmaßnahmen (z. B. Atemschutzgerät, Schutzkleidung o. Ä.) durchgeführt werden.

## **3.3 Fehlgebrauch**

Als Fehlgebrauch gilt jede Verwendung, die die technischen Leistungsgrenzen überschreitet oder mit den Werkstoffen unverträglich ist.



### **WARNUNG!**

#### **Verletzungen durch Fehlgebrauch**

Fehlgebrauch des Gerätes kann zu gefährlichen Situationen und Verletzungen führen.

- Eigenmächtige Umbauten am Gerät unterlassen

- Gerät nicht in explosionsgefährdeten Bereichen einsetzen.

Jede über die bestimmungsgemäße Verwendung hinausgehende oder andersartige Benutzung gilt als Fehlgebrauch.

Dieses Gerät nicht in Sicherheits- oder in Not-Aus-Einrichtungen benutzen.

### 3.4 Verantwortung des Betreibers

Das Gerät wird im gewerblichen Bereich eingesetzt. Der Betreiber unterliegt daher den gesetzlichen Pflichten zur Arbeitssicherheit.

Die Sicherheitshinweise dieser Betriebsanleitung, sowie die für den Einsatzbereich des Gerätes gültigen Sicherheits-, Unfallverhütungs- und Umweltschutzvorschriften einhalten.

Für ein sicheres Arbeiten am Gerät muss der Betreiber sicherstellen,

- dass das Bedienpersonal regelmäßig in allen zutreffenden Fragen von Arbeitssicherheit, Erste Hilfe und Umweltschutz unterwiesen wird, sowie die Betriebsanleitung und insbesondere die darin enthaltenen Sicherheitshinweise kennt.
- dass das Gerät gemäß der bestimmungsgemäßen Verwendung für den Anwendungsfall geeignet ist (Prüfung auf Fehlgebrauch).

Nach Prüfung ist ein Fehlgebrauch ausgeschlossen.

### 3.5 Personalqualifikation



#### **WARNUNG!**

**Verletzungsgefahr durch unzureichende Qualifikation**  
Unsachgemäßer Umgang kann zu erheblichen Personen- und Sachschäden führen.

- Die in dieser Betriebsanleitung beschriebenen Tätigkeiten nur durch Fachpersonal nachfolgend beschriebener Qualifikationen durchführen lassen.



## **Fachpersonal**

Das vom Betreiber autorisierte Fachpersonal ist aufgrund seiner fachlichen Ausbildung, seiner Kenntnisse der Mess- und Regelungstechnik und seiner Erfahrungen sowie Kenntnis der landesspezifischen Vorschriften, geltenden Normen und Richtlinien in der Lage, die beschriebenen Arbeiten auszuführen und mögliche Gefahren selbständig zu erkennen.

### **3.6 Persönliche Schutzausrüstung**

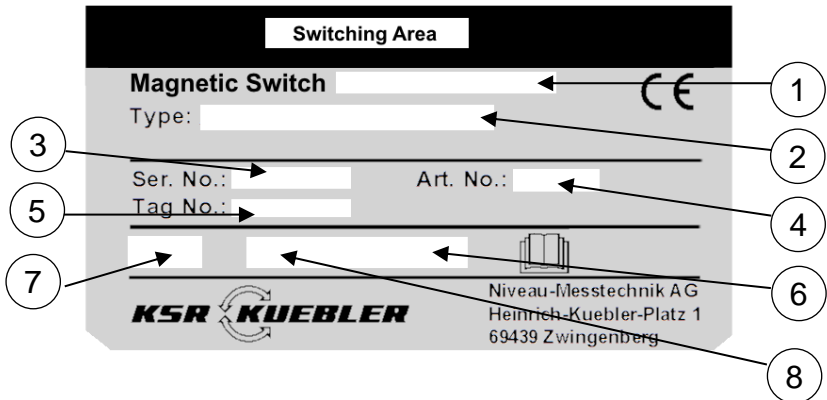
Die persönliche Schutzausrüstung dient dazu, das Fachpersonal gegen Gefahren zu schützen, die dessen Sicherheit oder Gesundheit bei der Arbeit beeinträchtigen könnten. Beim Ausführen der verschiedenen Arbeiten an und mit dem Gerät muss das Fachpersonal persönliche Schutzausrüstung tragen.

#### **Im Arbeitsbereich angebrachte Hinweise zur persönlichen Schutzausrüstung befolgen!**

Die erforderliche persönliche Schutzausrüstung muss vom Betreiber zur Verfügung gestellt werden.

## 3.7 Beschilderung, Sicherheitskennzeichnung

### Typenschild (Beispiele):



- |                  |                                |
|------------------|--------------------------------|
| 1) Gerätegruppe  | 5) Messstellenummer            |
| 2) Typ           | 6) Schaltleistung              |
| 3) Seriennummer  | 7) Schutzart nach EN/IEC 60529 |
| 4) Artikelnummer | 8) Schutzklasse                |

### Symbole



Vor Montage und Inbetriebnahme des Gerätes unbedingt die Betriebsanleitung lesen!



## 4. Transport, Verpackung und Lagerung

### 4.1 Transport

Magnetschalter auf eventuell vorhandene Transportschäden untersuchen. Offensichtliche Schäden unverzüglich melden.



#### **VORSICHT!**

#### **Beschädigung durch unsachgemäßen Transport**

Bei unsachgemäßem Transport können Sachschäden in erheblicher Höhe entstehen.

- Beim Abladen der Packstücke bei Anlieferung sowie innerbetrieblichem Transport vorsichtig vorgehen und die Symbole auf der Verpackung beachten.
- Bei innerbetrieblichem Transport die Hinweise unter Kapitel 4.2. „Verpackung und Lagerung“ beachten

### 4.2 Verpackung und Lagerung

Verpackung erst unmittelbar vor der Montage entfernen. Die Verpackung aufbewahren, denn diese bietet bei einem Transport einen optimalen Schutz (z.B. wechselnder Einbauort, Reparatursendung).

## 5. Inbetriebnahme, Betrieb

- Alle auf der Versandverpackung angegebenen Hinweise zum Entfernen der Transportsicherungen beachten.
- Magnetschalter vorsichtig aus der Verpackung entnehmen!
- Beim Auspacken alle Teile auf äußerliche Beschädigungen überprüfen.
- Funktionsprüfung vor dem Einbau durchführen



Vor der Prüfung ist die elektrische Verbindung zwischen Steuerung und Schalter zu lösen. Der Schaltzustand kann z.B. mittels Durchgangsprüfer ermittelt werden. Die Funktionsprüfung kann durch Betätigen des Kontaktes mit einem Permanentmagneten im Schaltbereich durchgeführt werden. Dazu bitte den Magneten auf den Schaltbereich des Magnetschalters zu bewegen. Hierbei muss der Kontakt umschalten.



Bei der Funktionsprüfung können unbeabsichtigte Prozessvorgänge in der nachfolgenden Steuerung ausgelöst werden. Gefahr von Sach- oder Personenschäden. Das Entfernen und Anschließen der elektrischen Leitungen darf nur von sachkundigem Fachpersonal durchgeführt werden. Magnetschalter nicht in unmittelbarer Nähe von starken elektromagnetischen Feldern betreiben (Abstand min. 1m). Magnetschalter keinen starken mechanischen Belastungen aussetzen.

## 5.1 Montagevorbereitungen

- Sicherstellen, dass die Montagefläche des BGU sauber ist und keine mechanische Beschädigung aufweist.

## 5.2 Montage der Magnetschalter



Vor der Montage in aggressiver Umgebung ist sicherzustellen, dass das Magnetschaltergehäuse entsprechend beständig ist. Die Schutzart der verwendeten Schalter ist bei der Wahl des Montageortes zu berücksichtigen.

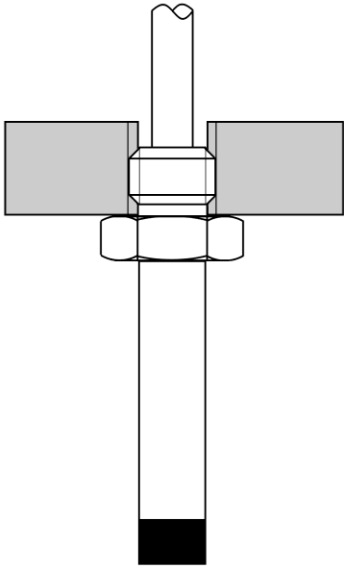
Die Montage muss mit nicht-magnetischem Montagematerial durchgeführt werden (z.B. Messingschrauben). Die Magnetschalter dürfen nicht in unmittelbarer Nähe zu ferromagnetischen Stoffen eingebaut werden. Bitte halten Sie einen Mindestabstand von 50 mm ein.

Je nach Schaltzone des Schalters ist die Betätigungsrichtung des Magneten bestimmt, stirnseitig oder seitlich zum Magnetschalter.

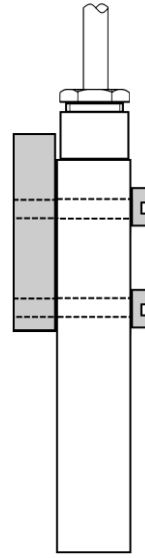
Den größten Betätigungsabstand erreicht man, wenn die Magnete direkt auf eine Eisenunterlage befestigt werden. Durch das gebündelte Magnetfeld erreicht man eine größere Reichweite.

### Schaltverhalten

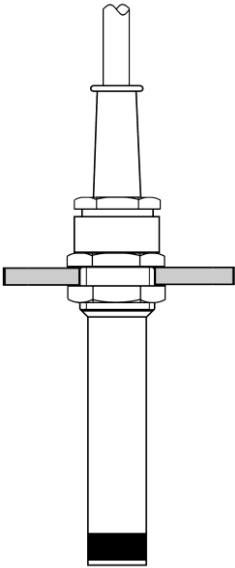
Monostabil	Bei monostabile Magnetschaltern spielt die Polung des Magneten keine Rolle, es kann mit Nord- oder Südpolung geschaltet werden.
Bistabil	Bistabile Magnetschalter reagieren auf die Polarität oder die Bewegungsrichtung des Magneten. In der Regel wird der Schalter mit dem Nordpol eingeschaltet und mit dem Südpol ausgeschaltet.



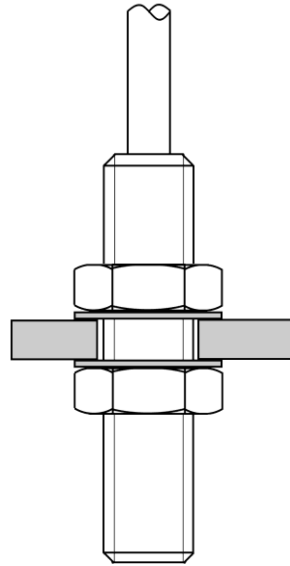
eingeschraubt



mit Schrauben



mit Gegenmutter



verstellbar mit Muttern

Grundtyp	Form	Material	Befestigung
MSA-DRU	flach	PA	mit 2 Schrauben M 4
MSA-DWU	flach	PA	mit 2 Schrauben M 4
MSA-EVS-L70	rund	Edelstahl	G 3/8 eingeschraubt
MSA-EVUM	rund	Edelstahl	G 3/8 eingeschraubt
MSA-FGMS	flach	PA	mit 2 Schrauben M 6
MSA-FKS	flach	PA	mit 2 Schrauben M 4
MSA-FKSM-AL	flach	Aluminium	mit 2 Schrauben M 4
MSA-FLS	flach	PA	mit 2 Schrauben M 4
MSA-FLSM-AL	flach	Aluminium	mit 2 Schrauben M 4
MSA-FLU	flach	PA	mit 2 Schrauben M 4
MSA-FWU	flach	PA	mit 2 Schrauben M 4
MSA-FWU-AL	flach	Aluminium	mit 2 Schrauben M 4
MSA-GMOM16	rund	PA	Pg 16 mit Gegenmutter
MSA-GMS18	rund	PA	M 18 verstellbar mit Muttern
MSA-GMS9	rund	PA	Pg 9 mit Gegenmutter
MSA-GMSM16	rund	PA	Pg 16 mit Gegenmutter
MSA-GMU9	rund	PA	Pg 9 mit Gegenmutter
MSA-GMUM16	rund	PA	Pg 16 mit Gegenmutter
MSA-KRS9	rund	PA	Pg 9 mit Gegenmutter
MSA-KRU9	rund	PA	Pg 9 mit Gegenmutter
MSA-KSWO	geschlitzt	PA	mit 2 Schrauben M 4
MSA-KSWU	geschlitzt	PA	mit 2 Schrauben M 4
MSA-KWU9	rund	PA	Pg 9 mit Gegenmutter
MSA-LRU9	rund	PA	Pg 9 mit Gegenmutter
MSA-MRO10	rund	Messing	M 10 verstellbar mit Muttern
MSA-MRS10	rund	Messing	M 10 verstellbar mit Muttern
MSA-MRS12	rund	Messing	M 12 verstellbar mit Muttern
MSA-MRS20	rund	Messing	M 20 verstellbar mit Muttern
MSA-MRS9	rund	PA	Pg 9 mit Gegenmutter
MSA-MRSS12	rund	Messing	M 12 verstellbar mit Muttern
MSA-MRU12	rund	Messing	M 12 verstellbar mit Muttern
MSA-MS30	rund	PE	geklemmt
MSA-PMS	rund	PVC	geklemmt
MSA-PMU	rund	PVC	geklemmt
MSA-PWS	rund	PVC	geklemmt
MSA-SRO	geschlitzt	PA	mit 2 Schrauben M5
MSA-SRU	geschlitzt	PA	mit 2 Schrauben M5
MSA-SWO	geschlitzt	PA	mit 2 Schrauben M5
MSA-SWU	geschlitzt	PA	mit 2 Schrauben M5
MSA-VS	rund	Edelstahl	G 1/8 eingeschraubt

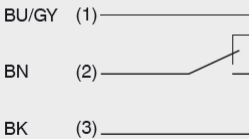
## 5.3 Elektrischer Anschluss



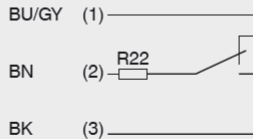
Der elektrische Anschluss ist entsprechend den im Errichtungsland geltenden Sicherheitsbestimmungen zur Errichtung elektrischer Anlagen durchzuführen und darf nur von Fachpersonal ausgeführt werden.

Die elektrischen Daten auf dem Typschild sind zu beachten. Die Arbeiten dürfen nur von geschultem Fachpersonal vorgenommen werden.

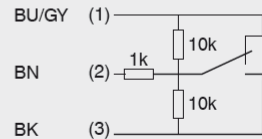
1 Schaltpunkt



1 Schaltpunkt  
Beschaltung für  
Betrieb an SPS



1 Schaltpunkt  
NAMUR-Schaltung nach  
DIN EN 60947-5-6



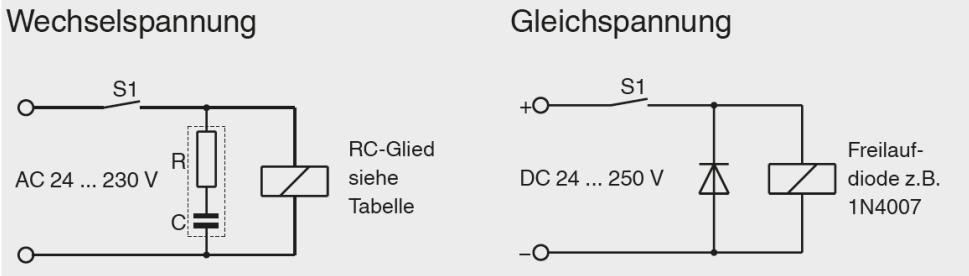
### Warnung!

Der Betrieb der Magnetschalter an induktiver oder kapazitiver Last kann eine Zerstörung des Reedkontaktes zur Folge haben. Dies kann zu einer Fehlfunktion der nachgeschalteten Steuerung und zu Personen- oder Sachschäden führen.



Bei kapazitiver Belastung, Leitungslängen über 50m oder dem Anschluss an Prozessleitsystemen mit kapazitivem Eingang ist zur Begrenzung des Spitzenstromes ein Schutzwiderstand von  $22\Omega$  in Serie zu schalten.

Bei induktiver Belastung sind die Magnetschalter durch Beschaltung mit einem RC-Glied (s. Anhang) bzw. einer Freilaufdiode zu schützen. Die Verwendung von Varistoren als Schutzbeschaltung ist nicht zulässig, da durch auftretende Spitzen der Reedkontakt zerstört werden kann.



### RC-Glieder zur Schutzbeschaltung

RC-Glieder sind, je nach Betriebsspannung, ausschließlich entsprechend untenstehender Tabelle zu verwenden.

Andere als die hier aufgeführten RC-Glieder führen zur Zerstörung des Reedswitchers.

#### Für Reedkontakte von 10 - 40VA

Spannung	Widerstand	Kapazität	Typ
AC 24 V	100 Ω	0,33 µF	A 3/24
AC 48 V	220 Ω	0,33 µF	A 3/48
AC 115 V	470 Ω	0,33 µF	A 3/115
AC 230 V	1500 Ω	0,33 µF	A 3/230

#### Für Reedkontakte von 40 - 100VA

Spannung	Widerstand	Kapazität	Typ
AC 24 V	47 Ω	0,33 µF	B 3/24
AC 48 V	100 Ω	0,33 µF	B 3/48
AC 115 V	470 Ω	0,33 µF	B 3/115
AC 230 V	1000 Ω	0,33 µF	B 3/230

## **5.4 Inbetriebnahme**

Vor der Inbetriebnahme sind bistabile Magnetschalter in ihren definierten Ausgangszustand zu versetzen. Hierzu wird der Magnet entlang des vorgesehenen Pfades und danach zurück zur Ausgangsposition bewegt.

Bedingt durch das bistabile Schaltverhalten der Magnetschalter müssen diese unbedingt wie beschrieben vor der Inbetriebnahme in den Ausgangszustand versetzt werden. Es besteht sonst die Gefahr, dass beim erstmaligen Einschalten in der nachgeschalteten Steuerung eine fehlerhafte Schaltfunktion durch eine falsche Kontaktstellung ausgelöst wird.

### **Justieren des Magnetschalters**

Befestigungsschraube(n) lösen und Magnetschalter auf die Position des gewünschten Schaltpunktes setzen. Anschließend Befestigungsschrauben wieder fest anziehen.



## 6. Störungen



In der folgenden Tabelle sind die häufigsten Fehlerursachen und die erforderlichen Gegenmaßnahmen aufgeführt.

Störung	Ursache	Maßnahme
<b>Kein oder falsches Signal</b>	Elektrischer Anschluss falsch	Kapitel 5.3
	Reedkontakt defekt	Rücksendung ans Werk
	falsches Schaltverhalten	Anschlussbelegung ändern
	Schaltposition falsch	BGU neu positionieren
	Kabel abgerissen	Rücksendung ans Werk
	Schalter wird nicht durch Magnet ausgelöst	Rücksendung ans Werk



### **VORSICHT!**

#### **Körperverletzungen, Sach- und Umweltschäden**

Können Störungen mit Hilfe der aufgeführten Maßnahmen

nicht beseitigt werden, Gerät unverzüglich außer Betrieb setzen.

- Sicherstellen, dass kein Druck mehr anliegt und gegen versehentliche Inbetriebnahme schützen.
- Kontakt mit dem Hersteller aufnehmen.
- Bei notwendiger Rücksendung die Hinweise unter
- Kapitel 8.2 „Rücksendung“ beachten.



## 7. Wartung und Reinigung

### 7.1 Wartung

Magnetschalter Typ MSA arbeiten bei bestimmungsgemäßen Gebrauch wartungs- und verschleißfrei.

Die Schalter dürfen nur vom Hersteller oder vom Hersteller bevollmächtigten Personen repariert werden. Die internationalen und nationalen Bestimmungen bezüglich der Durchführung der Reparatur sind zu beachten. Es dürfen nur Original KSR Kuebler-Ersatzteile verwendet werden.



#### **GEFAHR!**

Beim Arbeiten an Behältern, besteht Vergiftungs- oder Erstickungsgefahr. Arbeiten dürfen nur unter Anwendung geeigneter Personenschutzmaßnahmen (z.B. Atemschutzgerät, Schutzkleidung o.Ä.) durchgeführt werden.



#### **HINWEIS!**

Eine einwandfreie Funktion des Magnetschalters kann nur bei Verwendung von Original KSR Kuebler Zubehör und Ersatzteilen garantiert werden.

## 7.2 Reinigung



### **VORSICHT!**

#### **Körperverletzungen, Sach- und Umweltschäden**

Eine unsachgemäße Reinigung führt zu Körperverletzungen, Sach- und Umweltschäden. Messstoffreste in ausgebauten Geräten können zur Gefährdung von Personen, Umwelt und Einrichtung führen.

- Ausgebautes Gerät spülen bzw. säubern.
  - Ausreichende Vorsichtsmaßnahmen sind zu ergreifen.
1. Vor der Reinigung das Gerät ordnungsgemäß vom Prozess und der Stromversorgung trennen.
  2. Das Gerät vorsichtig mit einem feuchten Tuch reinigen.
  3. Elektrische Anschlüsse nicht mit Feuchtigkeit in Berührung bringen!



### **VORSICHT!**

#### **Sachbeschädigung**

Eine unsachgemäße Reinigung führt zur Beschädigung des Gerätes!

- Keine aggressiven Reinigungsmittel verwenden.
- Keine harten und spitzen Gegenstände zur Reinigung verwenden.

## 8. Demontage, Rücksendung und Entsorgung



### **WARNUNG!**

#### **Körperverletzung, Sach- und Umweltschäden durch Messstoffreste**

Messstoffreste im ausgebauten Gerät können zur Gefährdung von Personen, Umwelt und Einrichtung führen.

- Notwendige Schutzausrüstung tragen
- Ausgebautes Gerät spülen bzw. säubern, um Personen und Umwelt vor Gefährdung durch anhaftende Messstoffreste zu schützen.

### **8.1 Demontage**

Messgerät nur im drucklosen und spannungsfreiem Zustand demontieren! Gegebenenfalls muss der Behälter entspannt werden.

### **8.2 Rücksendung**

Zur Rücksendung des Gerätes die Originalverpackung oder eine geeignete Transportverpackung verwenden.

Hinweise zur Rücksendung befinden sich in der Rubrik „Service“ auf unserer lokalen Internetseite.

### **8.3 Entsorgung**

Durch falsche Entsorgung können Gefahren für die Umwelt entstehen.

Gerätekomponenten und Verpackungsmaterialien entsprechend den landesspezifischen Abfallbehandlungs- und Entsorgungsvorschriften umweltgerecht entsorgen.

## 9. Technische Daten

### 9.1 Schaltleistungen

Grundtyp	Schaltleistung
MSA-DRU	AC 230V; 30VA; 0,5A / DC 230V; 20W; 0,35A
MSA-DWU	AC 230V; 50VA; 1A / DC 230V; 30W; 0,5A
MSA-EVS-L70	AC 230V; 60VA; 1A / DC 230V; 30W; 0,5A
MSA-EVUM	AC 230V; 30VA; 0,5A / DC 230V; 20W; 0,35A
MSA-FGMS	AC 230V; 100VA; 1A / DC 230V; 50W; 0,5A
MSA-FKS MSA-FKSM-AL	AC 230V; 10VA; 0,5A / DC 230V; 5W; 0,25A
MSA-FLS	AC 230V; 60VA; 1A / DC 230V; 30W; 0,5A
MSA-FLSM-AL	AC 230V; 100VA; 1A / DC 230V; 50W; 0,5A
MSA-FLU MSA-FWU	AC 230V; 30VA; 0,5A / DC 230V; 20W; 0,35A
MSA-FWU-AL	AC 230V; 50VA; 1A / DC 230V; 30W; 0,5A
MSA-GMOM16	AC 230V; 100VA; 1A / DC 230V; 50W; 0,5A
MSA-GMS18	AC 230V; 60VA; 1A / DC 230V; 30W; 0,5A
MSA-GMS9 MSA-GMSM16	AC 230V; 100VA; 1A / DC 230V; 50W; 0,5A
MSA-GMU9 MSA-GMUM16	AC 230V; 30VA; 0,5A / DC 230V; 20W; 0,35A
MSA-KRS9	AC 230V; 60VA; 1A / DC 230V; 30W; 0,5A
MSA-KRU9	AC 230V; 30VA; 0,5A / DC 230V; 20W; 0,35A
MSA-KWU9	AC 230V; 50VA; 1A / DC 230V; 30W; 0,5A
MSA-LRU9	AC 50V; 30VA; 0,5A / DC 75V; 20W; 0,35A
MSA-MRO10	AC 50V; 5VA; 0,25A / DC 75V; 2,5W; 0,15A
MSA-MRS10	AC 230V; 10VA; 0,5A / DC 230V; 5W; 0,25A
MSA-MRS12 MSA-MRS20	AC 230V; 60VA; 1A / DC 230V; 30W; 0,5A
MSA-MRS9	AC 230V; 10VA; 0,5A / DC 230V; 5W; 0,25A
MSA-MRSS12	AC 230V; 60VA; 1A / DC 230V; 30W; 0,5A
MSA-MRU12	AC 230V; 30VA; 0,5A / DC 230V; 20W; 0,35A
MSA-MS30	AC 50V; 30VA; 100mA / DC 75V; 20W; 100mA
MSA-PMS	AC 230V; 60VA; 1A / DC 230V; 30W; 0,5A
MSA-PMU	AC 230V; 30VA; 0,5A / DC 230V; 20W; 0,35A
MSA-PWS	AC 230V; 50VA; 1A / DC 230V; 30W; 0,5A
MSA-SRO / SWO	AC 230V; 30VA; 0,5A / DC 230V; 20W; 0,35A
MSA-SRU / SWU	AC 230V; 50VA; 1A / DC 230V; 30W; 0,5A
MSA-VS	AC 230V; 10VA; 0,5A / DC 230V; 5W; 0,25A

## 9.2 Einsatzgrenzen

- Betriebstemperatur:  $T = -10 \dots +80 \text{ °C}$

Detaillierte Informationen über Magnetschalter sind den folgenden Datenblättern separat zu entnehmen:

- Magnetschalter; Typ MSA; siehe Datenblatt MSA







KSR Kuebler subsidiaries worldwide can be found online at [www.ksr-kuebler.com](http://www.ksr-kuebler.com).  
WIKA subsidiaries worldwide can be found online at [www.wika.com](http://www.wika.com).

Manufacturer contact  
hergestellt von



**KSR Kuebler Niveau-Messtechnik AG**  
Heinrich-Kuebler-Platz 1  
69439 Zwingenberg am Neckar • Germany  
Tel. +49 6263/87-0  
Fax +49 6263/87-99  
[info@ksr-kuebler.com](mailto:info@ksr-kuebler.com)  
[www.ksr-kuebler.com](http://www.ksr-kuebler.com)

Sales contact  
Vertrieb durch



**WIKAL Alexander Wiegand SE & Co. KG**  
Alexander-Wiegand-Straße 30  
63911 Klingenberg • Germany  
Tel. +49 9372 132-0  
Fax +49 9372 132-406  
[info@wika.de](mailto:info@wika.de)  
[www.wika.de](http://www.wika.de)